

THIS COPY IS PROVIDED ON A RESTRICTED BASIS AND IS NOT TO BE USED IN ANY WAY DETRIMENTAL TO THE INTERESTS OF PANDUIT CORP.

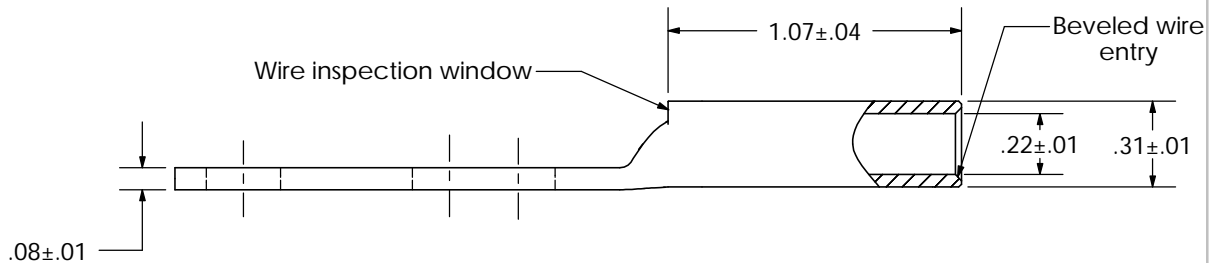
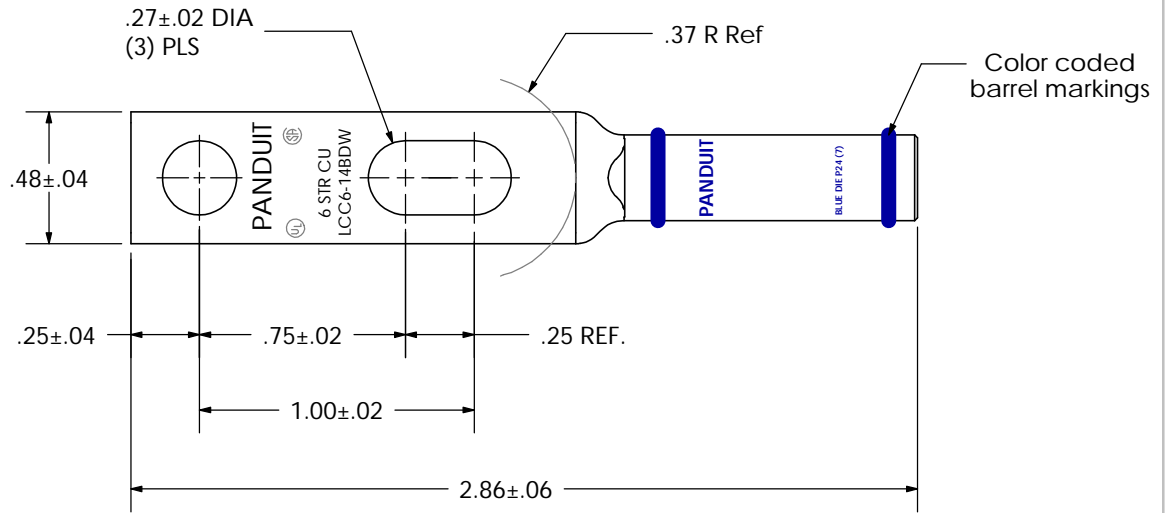
| | |
|--|--|
| Material | High Conductivity Seamless Copper Tube |
| Plating | Electro-Tin |
| Wire Size | 6 AWG |
| Wire Type | Stranded Copper; Class B: Compact, Compressed or Concentric, Class C: Concentric |
| Wire Strip Length | 1-1/8 in. |
| Stud Size | 1/4 in. |
| UL Listed Wire Connector | Yes, for applications up to 35kv. Consult cable manufacturer for voltage stress relief instructions with applications greater than 2000 volts. |
| UL Temperature Rating | 90° C |
| C.S.A Certified Wire Connector | Yes |
| Panduit Color Code on Barrel | BLUE |
| Panduit Die Index No. on Barrel | P24 |
| Alternate Industry Die Index No. () on Barrel | (7) |



CERTIFIED



LISTED Wire Connector



| | | | | | |
|-----|------|------|-----|-------------|-------|
| 00 | 1/05 | JHNU | CSH | RELEASED | 12394 |
| REV | DATE | BY | CHK | DESCRIPTION | ECN |

PANDUIT CORP. TINLEY PARK, ILLINOIS

LCC6-14BDW-L
Copper Lug - Slotted Two-Hole, Long Barrel with Window

SCALE N/A

DRAWING NO / CAD FILE

LCC6-14BDW-CUST